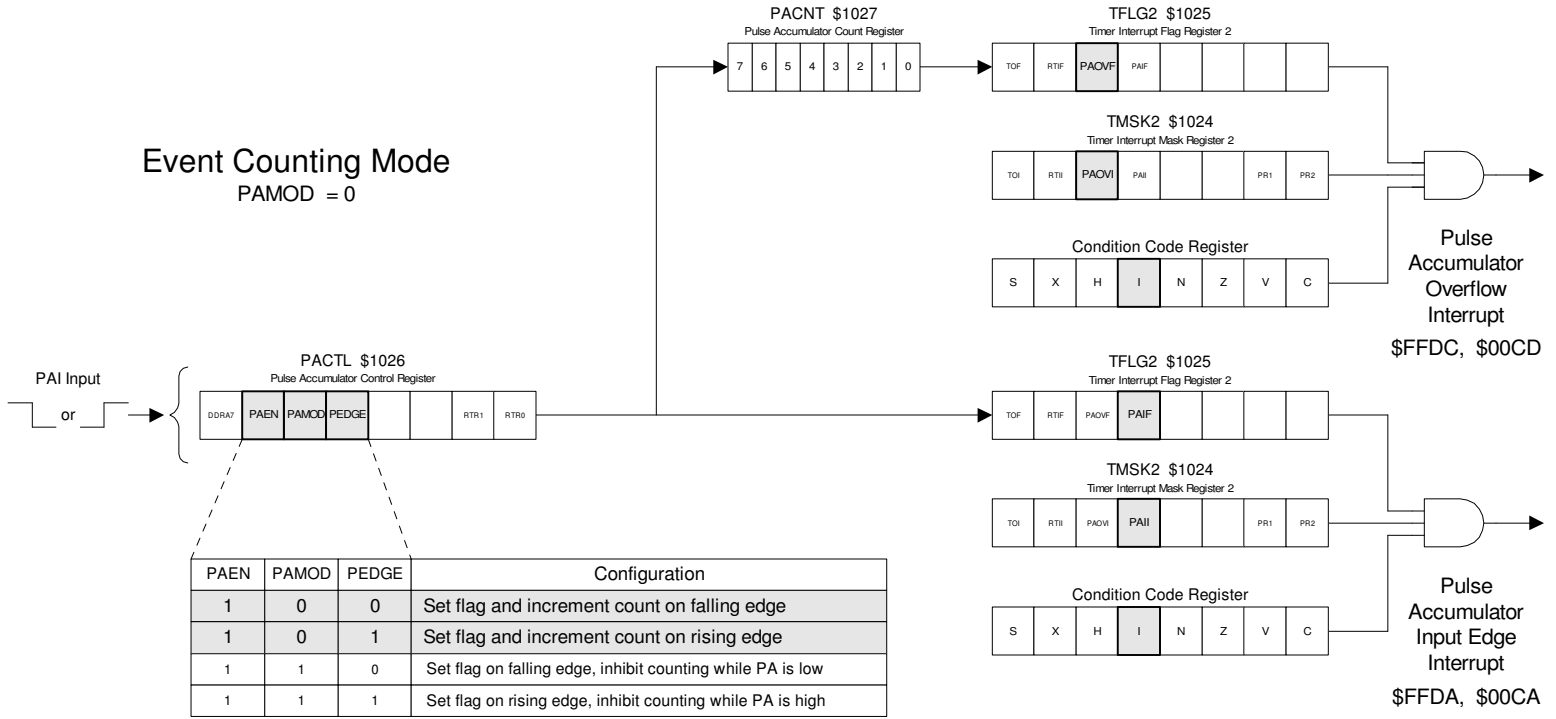


68HC11 Pulse Accumulator

Event Counting Mode PAMOD = 0



Gated Time Accumulation Mode PAMOD = 1

