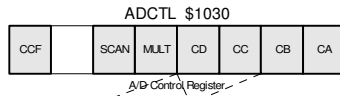
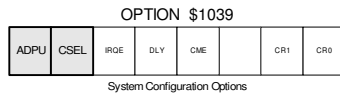
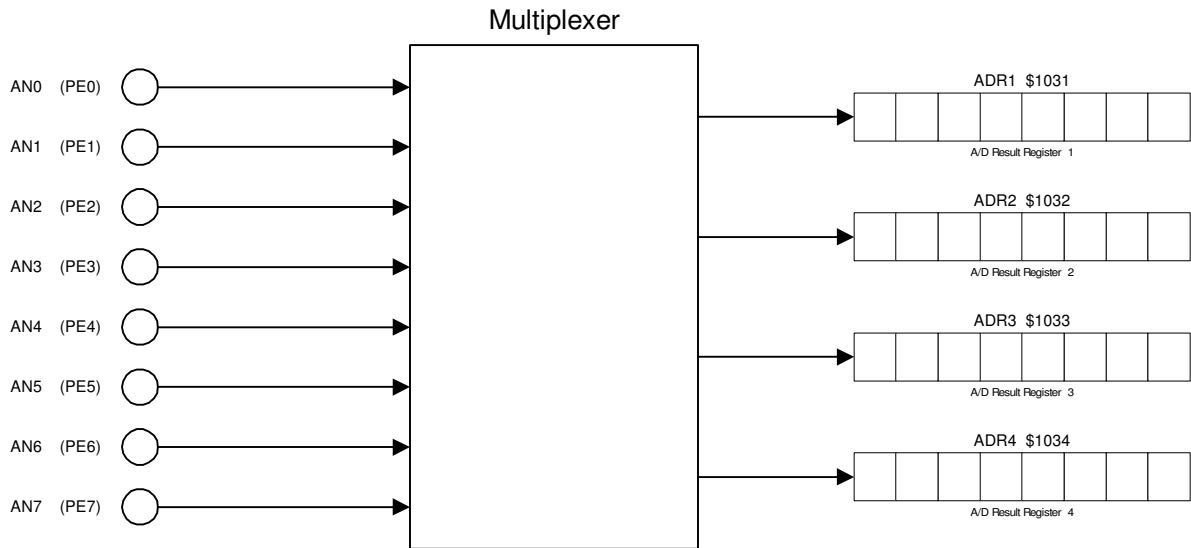


68HC11 Analog to Digital Converter System



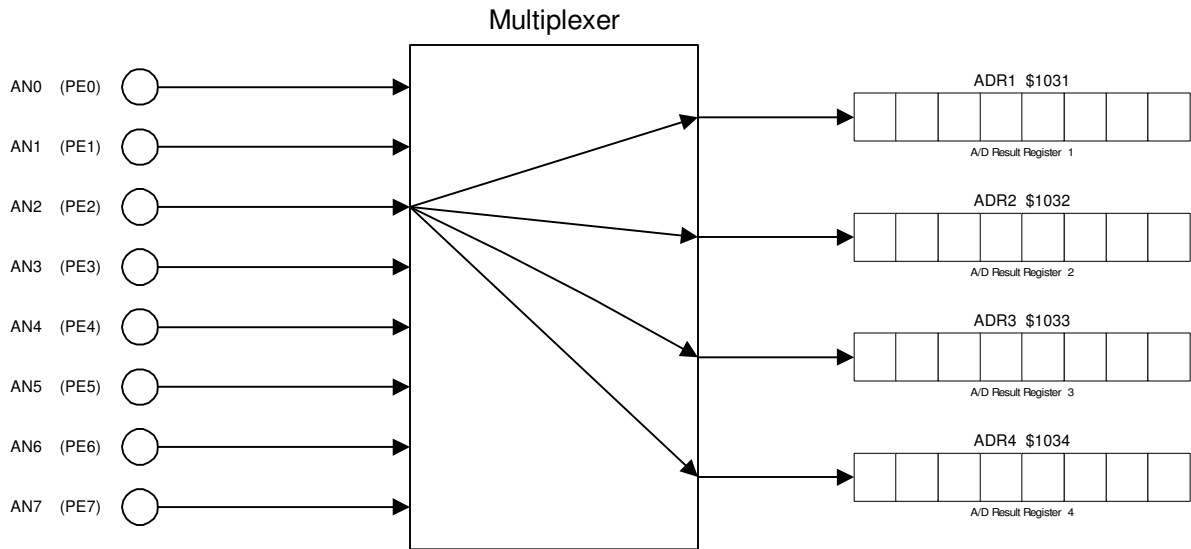
CD	CC	Channel	Result Register
0	0	AN0 (PE0)	ADR1
		AN1 (PE1)	ADR2
		AN2 (PE2)	ADR3
		AN3 (PE3)	ADR4
	1	AN4 (PE4)	ADR1
		AN5 (PE5)	ADR2
		AN6 (PE6)	ADR3
		AN7 (PE7)	ADR4

MULT = 1

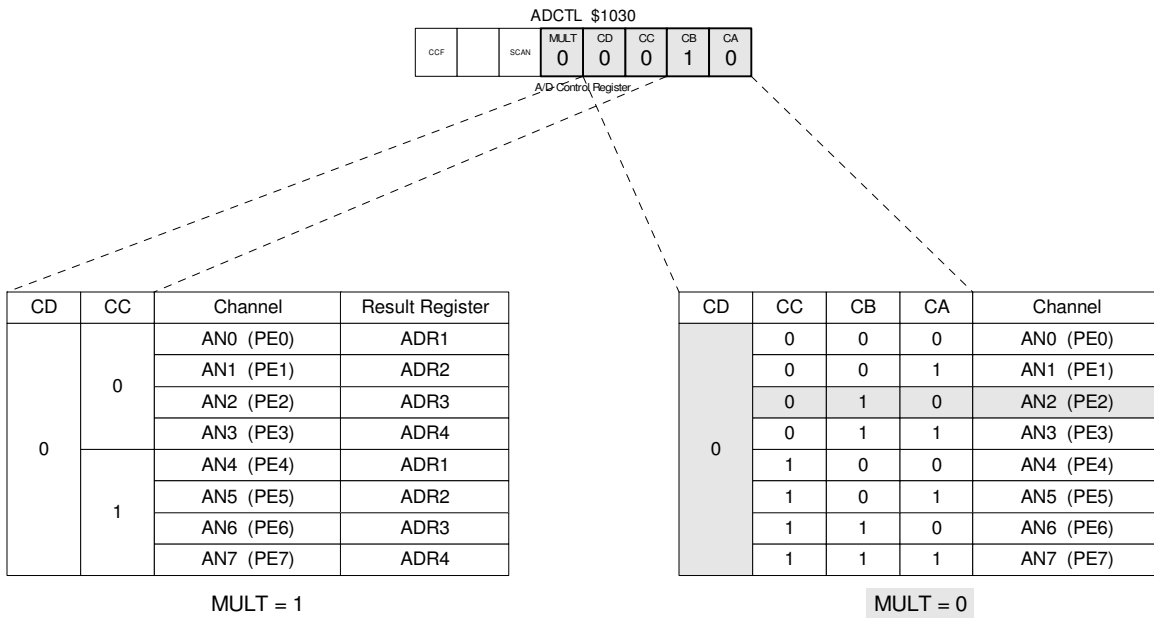
CD	CC	CB	CA	Channel
0	0	0	0	AN0 (PE0)
	0	0	1	AN1 (PE1)
	0	1	0	AN2 (PE2)
	0	1	1	AN3 (PE3)
	1	0	0	AN4 (PE4)
	1	0	1	AN5 (PE5)
	1	1	0	AN6 (PE6)
	1	1	1	AN7 (PE7)

MULT = 0

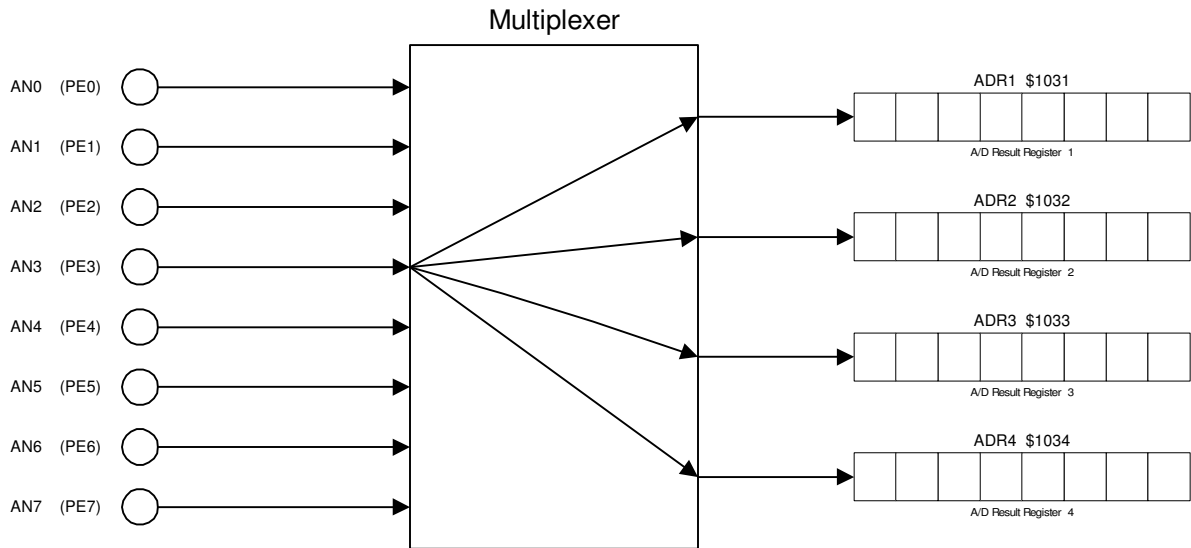
68HC11 Analog to Digital Converter System



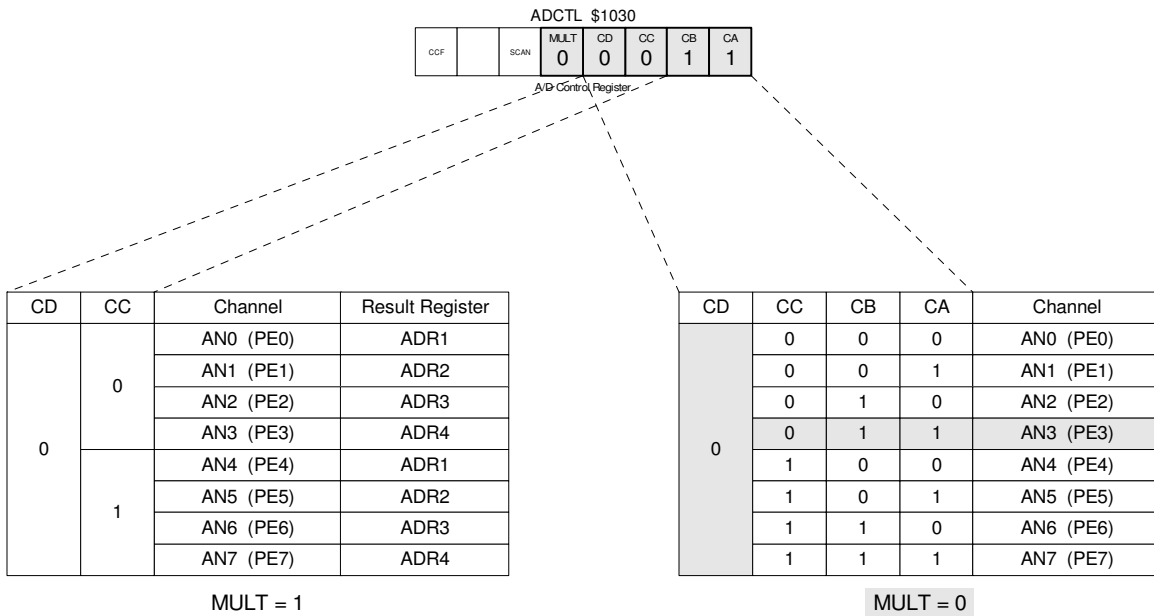
Example # 1



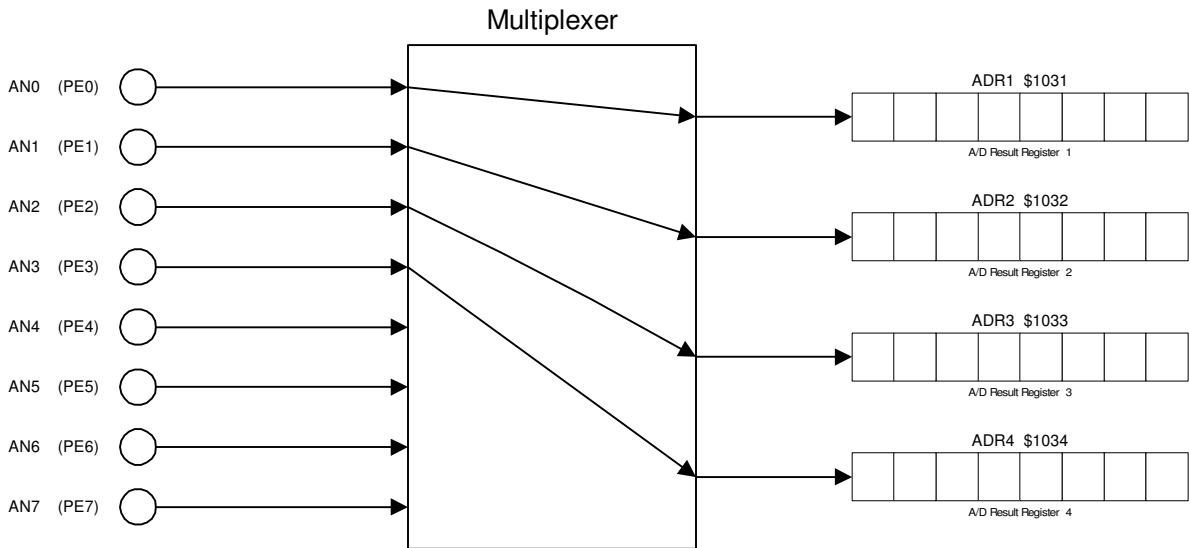
68HC11 Analog to Digital Converter System



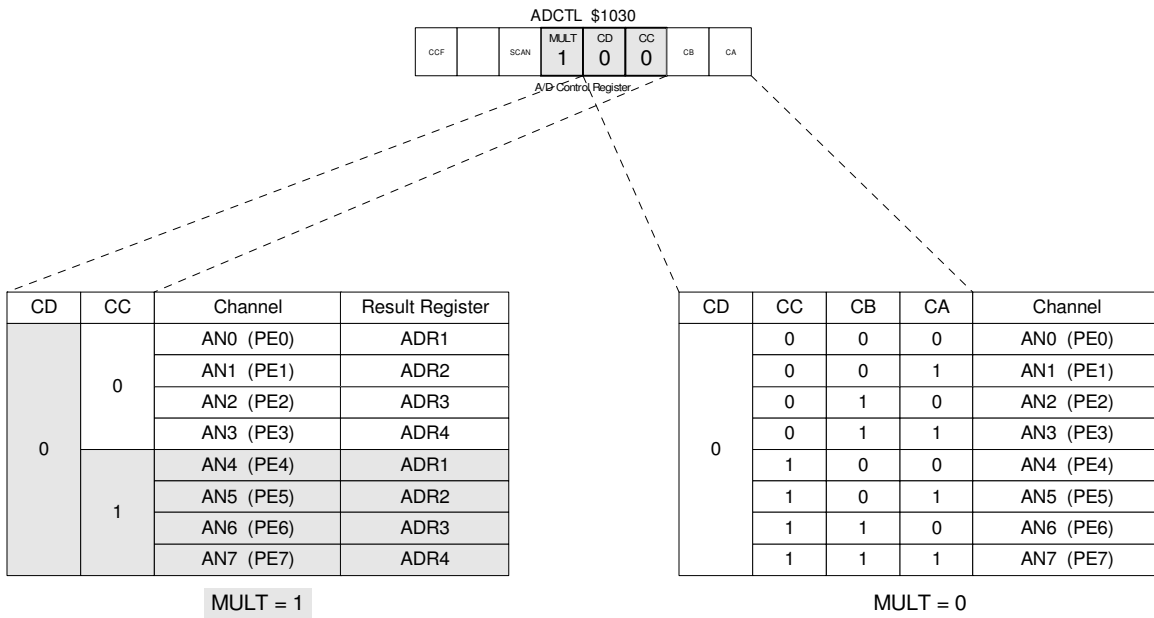
Example # 2



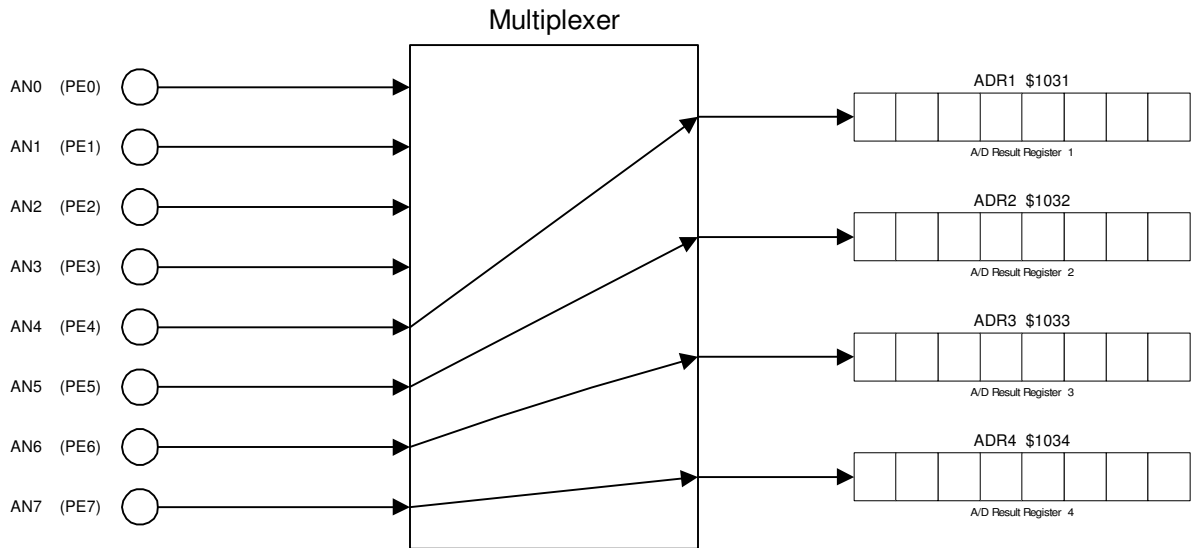
68HC11 Analog to Digital Converter System



Example # 3



68HC11 Analog to Digital Converter System



Example # 4

